

LightFORCE

USER INSTRUCTIONS



VENOM & GENESIS

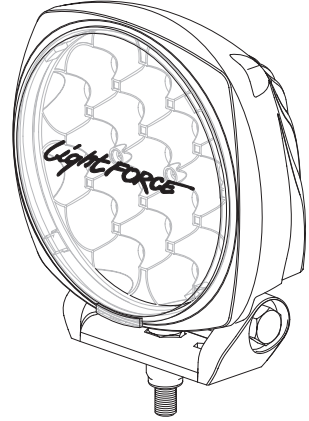
LED DRIVING LIGHTS

LIGHTFORCE.COM

VENOM LED & GENESIS LED INSTALLATION INSTRUCTIONS

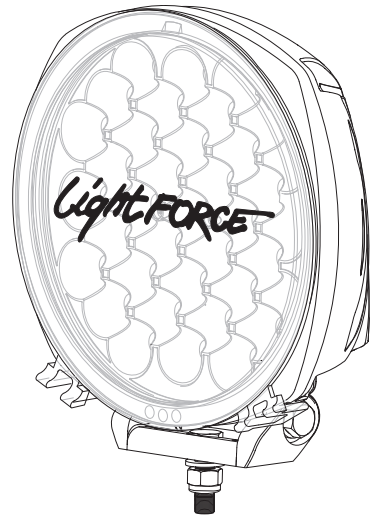
VENOM LED KIT CONTENTS

- 1 x DL150 Venom LED light
- 1 x Spot filter
- 1 x Reversible mounting bracket (fitted loose to light)
- 2 x M10 x 35mm stainless steel hex bolts with washers and nyloc nuts (side bolts fitted to light)
- 1 x M10 x 35mm stainless steel hex bolt with washer and nyloc nut (fitted to bracket for mounting)
- 1 x 4 pin waterproof harness adaptor
- 1 x User instructions.



GENESIS LED KIT CONTENTS

- 1 x DL210 Genesis LED light
- 1 x Spot filter
- 1 x Reversible mounting bracket (fitted loose to light)
- 2 x M10 x 35mm stainless steel hex bolts with washers and nyloc nuts (side bolts fitted to light)
- 1 x M10 x 35mm stainless steel hex bolt with washer and nyloc nut (fitted to bracket for mounting)
- 1 x 4 pin waterproof harness adaptor
- 2 x 1/4" x 1 1/4" long UNC stainless steel hex bolt with washer and nut (in bag)
- 1 x User instructions.



VENOM LED & GENESIS LED INSTALLATION INSTRUCTIONS

TOOLS REQUIRED

- 17mm socket on ratchet
- 7/16" socket (optional for DL210 mounting)
- Torque wrench.

GENERAL CARE AND SAFETY TIPS

To wash your lights, use plenty of warm soapy water and a soft cloth only (this prevents surfaces from marking). Never use any solvent based cleaners or industrial detergents when cleaning these lights, as permanent damage may occur.

PERSONAL SAFETY WARNING

High intensity light source. Do not look directly into the light during operation, eye injury may result.

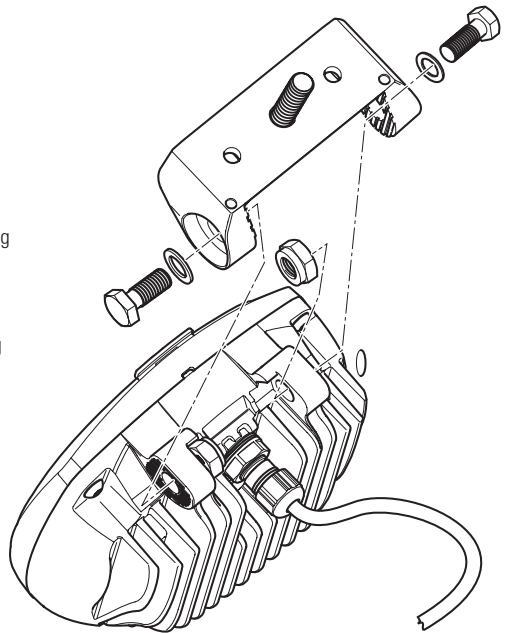
VENOM LED & GENESIS LED INSTALLATION INSTRUCTIONS

IMPORTANT NOTES

1. Before fitting the stainless steel hardware, apply a small amount of anti-seize to the thread of the 35mm mounting bolts.
2. Mounting points vary in design and load capacity. Ensure the light is within manufacturers recommended weight specifications before fitment.
3. Failure to correctly mount light may cause damage to light and vehicle.

MOUNTING BRACKET

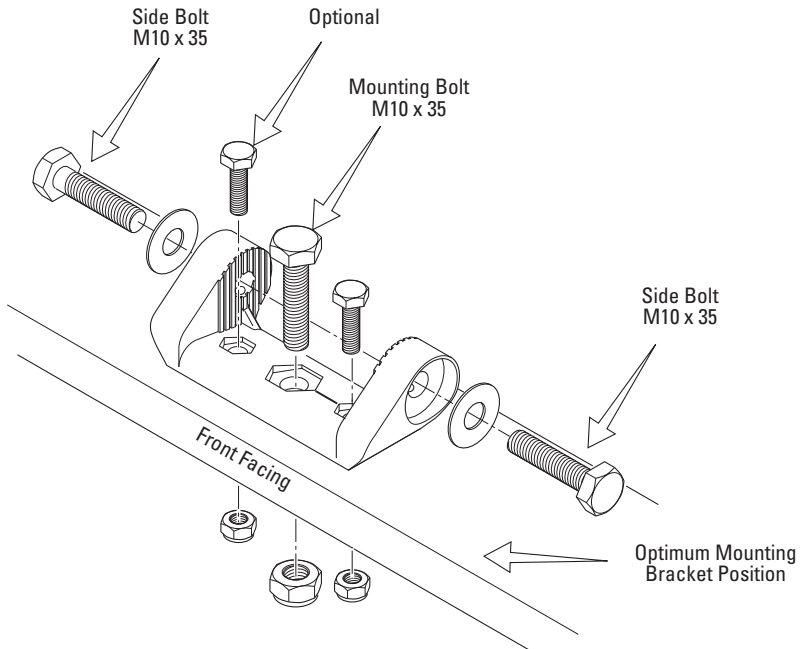
1. Remove nyloc nut and M10 washer from M10 x 35mm bolt attached to the bottom of mounting bracket
2. Locate the bracket in a suitable position using the M10 x 35mm bolt. It is recommended that the base area of the mounting bracket is totally supported
3. Align light to preferred driving position
4. Fit the washer and M10 nyloc then tighten using a 17mm socket & ratchet to specified torque (35Nm)- do not use rattle guns.
5. Tighten 2 x M10 x 35 side bolts to recommended torque (35Nm).



VENOM LED & GENESIS LED INSTALLATION INSTRUCTIONS

OPTIONAL FOR GENESIS LED

For high vibration environments we recommend fitting the supplied 1/4" x 1 1/4" long UNC stainless steel hex bolts with washers and nuts. Torqued to 8Nm.



NOTE When lights are used in extreme environments always re-check torques.

The mounting bracket can be rotated 180° for an additional fitment option.

VENOM LED & GENESIS LED INSTALLATION INSTRUCTIONS

ELECTRICAL CONNECTIONS

Venom LED and Genesis LED lights are fitted with a waterproof 4 pin electrical connector.

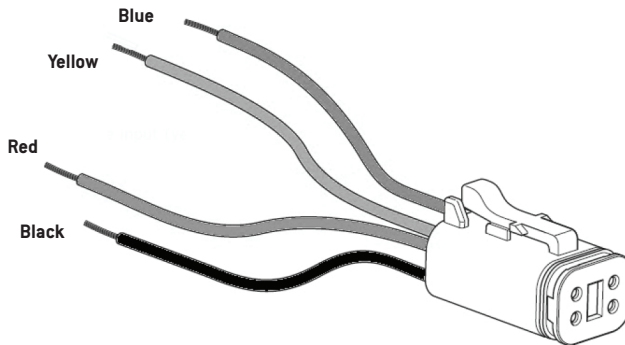
Included in the kit is the mating connector fitted with short lengths of cable for integration with an appropriate wiring harness. i.e. Harness must be capable of 15A per light.

If existing wiring harness is suitable, the included connector needs to be fitted directly to your existing driving light circuit.

CONNECTOR WIRE COLOUR IDENTIFICATION

1. **Red:** Positive for full intensity– connect to positive output wire on relay / vehicle harness
2. **Black:** Negative - connect to negative (earth)
3. **Blue:** Positive for day time positioning (optional) - connect to ignition signal wire
4. **Yellow:** Positive for night time positioning (optional) - connect to low beam signal wire.

NOTE: To operate night time positioning, ensure blue wire is also connected to ignition signal wire.



Warning: Only connect positioning lights in locations where they are legal to use. Please check local laws.

VENOM LED & GENESIS LED INSTALLATION INSTRUCTIONS

NOTE

For maximum performance, three mode operation and safety, we recommend the use of optional wiring harness LFDLHTS – for fitment follow the installation instructions included with the harness.

CAUTION

Improper installation of the connector will affect the reliability and operation of your lights. Do not remove the waterproof connector from the driving light cable; this will lead to water ingress and void warranty.

Lightforce driving lights are designed to be mounted in the horizontal/forward facing position only.

Pointing the light upwards can cause heat damage to the lens. Failure to comply with this requirement may void warranty.

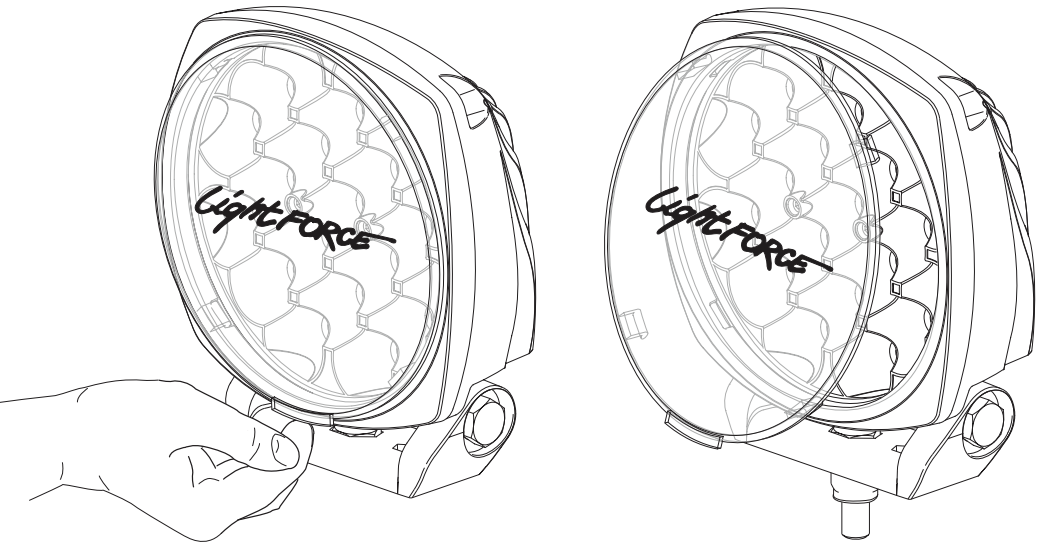
VENOM LED & GENESIS LED INSTALLATION INSTRUCTIONS

VENOM LED FILTER REMOVAL

- Filter is held in place by 4 clips.
- Lift tab at bottom of light and pull filter away from bezel releasing the clips.

VENOM LED FILTER REFITTING

- Insert the filter at the top position
- Push filter onto bezel using filter tab until side clips are engaged
- Ensure filter is correctly aligned within bezel.



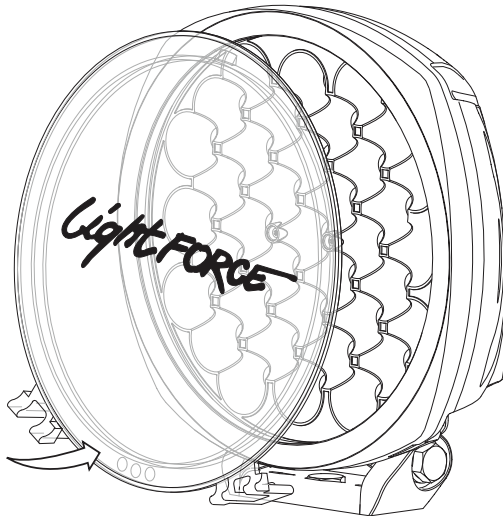
VENOM LED & GENESIS LED INSTALLATION INSTRUCTIONS

GENESIS LED FILTER REMOVAL

- Unlock each filter tab from the light by lifting the rear of the tab away from the bezel
- Swing the base of the filter away from the light
- The filter will drop down and away from the light.

GENESIS LED FILTER REFITTING

- Genesis filters have a locating lug at the top and locking tabs at the bottom
- Insert the locating lug into the recess found at the underside of the top of the bezel
- While pushing filter up, push the base of filter in towards the light
- Lock each filter tab in by pushing down on the forward facing lever tabs.



VENOM LED & GENESIS LED INSTALLATION INSTRUCTIONS

VENOM LED TECHNICAL SPECIFICATIONS

- Power: 75 Watts
- Raw lumens: 7850
- Effective lumens: 6800
- Input voltage range: 10 – 32V
- Current draw: 5.7 Amps @13.2V
- Colour temperature: 5000K
- LED lifespan: up to 50,000 hours
- Input cable length: 460mm (18.11")
- Operating temperature: -40° to 63°C (-40° to 145°F)
- Weight including bracket: 1.2kg (2.65lb)

VENOM LED FEATURES

- 75W LED within a 150mm housing
- 21 x Lumileds LEDs
- 3 Stage Operation
 - Full intensity
 - Day time positioning
 - Night time positioning
- CISPR25* compliant reducing radio frequency interference
- Cast aluminium housing and bezel
- Hard-wearing UV stable powder coat finish
- Reverse polarity voltage protection
- High current waterproof connectors
- IP69K rated to protect against moisture / contaminant ingress
- Genuine Gore® waterproof membrane with mechanical seal
- Thermal overload protection
- Impact resistant polycarbonate filter.

*CISPR25 is the internationally recognised standard covering allowable limits of electromagnetic radiated and conducted interference for components installed in vehicles

VENOM LED & GENESIS LED INSTALLATION INSTRUCTIONS

GENESIS LED TECHNICAL SPECIFICATIONS

- Power: 140 Watts
- Raw lumens: 13850
- Effective lumens: 12000
- Input voltage range: 10 – 32V
- Current draw: 10.5 Amps @13.2V
- Colour temperature: 5000K
- LED lifespan: up to 50,000 hours
- Input cable length: 460mm (18.11")
- Operating temperature: -40° to 63°C (-40° to 145°F)
- Weight including bracket: 2.4kg (5.29lb)

GENESIS LED FEATURES

- 140W LED within a 210mm housing
- 37 x Lumileds LEDs
- 3 Stage Operation
 - Full intensity
 - Day time positioning
 - Night time positioning
- CISPR25* compliant reducing radio frequency interference
- Cast aluminium housing and bezel
- Hard-wearing UV stable powder coat finish
- Reverse polarity voltage protection
- High current waterproof connectors
- IP69K rated to protect against moisture / contaminant ingress
- Genuine Gore® waterproof membrane with mechanical seal
- Thermal overload protection
- Impact resistant polycarbonate filter.

FASTENER TORQUE SPECIFICATIONS

- M10 x 35mm bottom and side mount bolt - 35Nm (26lb-ft)
- 1/4" x 1 1/4" long UNC stainless steel hex bolts - 8Nm (6lb-ft)

RECOMMENDED WIRE SIZE

- 1.25mm² (AWG 16) minimum per circuit

VENOM LED & GENESIS LED INSTALLATION INSTRUCTIONS

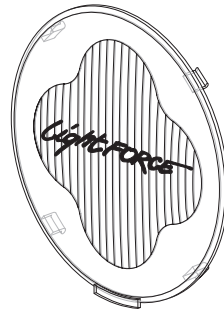
DRIVING LIGHT FILTERS

Durable polycarbonate covers should remain fitted to driving lights at all times. They are capable of absorbing road grime and bombardment for many years. These replaceable covers should be renewed from time to time to protect your investment and maintain maximum beam output. Your Venom LED & Genesis LED lights come standard with spot filters. Clear combo filters are used to change the beam pattern.



Genesis LED 210mm – clear combo
(Part No. F210CC)

When a pair of Genesis LED driving lights are fitted with clear combo filters the beam pattern will spread to *120m wide at 250m along the road



Venom LED 150mm – clear combo
(Part No. F150CC)

When a pair of Venom LED driving lights fitted with clear combo filters the beam pattern will spread to *120m wide at 230m along the road

ALSO AVAILABLE

- Crystal blue filters are used to increase clarity when driving
- Amber filters are used to enhance vision when off-road driving through haze and dust
- Yellow filters are used to enhance vision in fog, haze and dust.

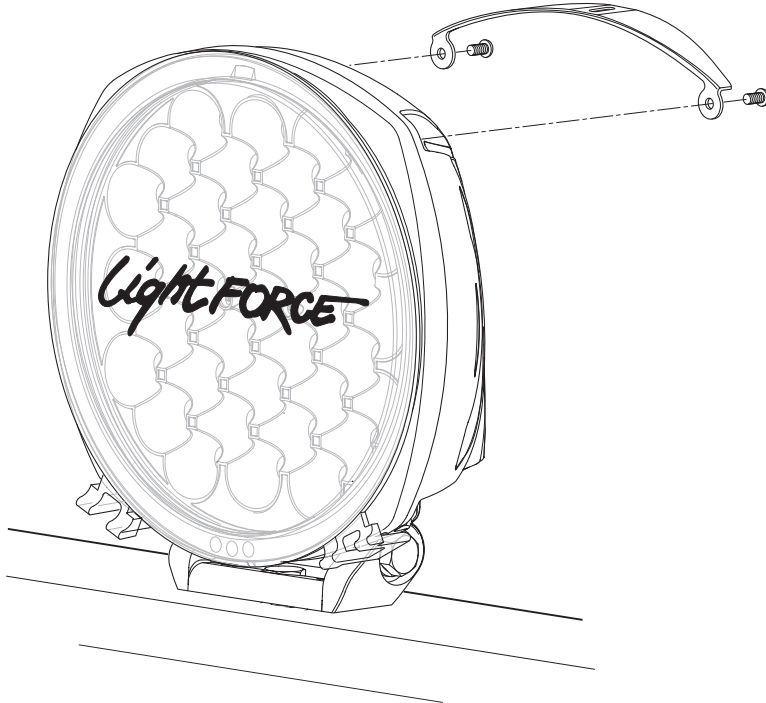
*Independently tested in approved NATA laboratory. National Association of Testing Authorities Accredited, Australia 2016. Photometric testing performed by Photometric Solutions International Pty Ltd (PSI) Huntingdale VIC September 2016

VENOM LED & GENESIS LED INSTALLATION INSTRUCTIONS

GENESIS LED TOP STAY BRACKET

(Part No. DL210TSB)

Your Genesis LED can be used with a top stay bracket for increased mounting rigidity.



NOTE This is recommended when using lights in high vibration environments

VENOM LED & GENESIS LED INSTALLATION INSTRUCTIONS

CROSS BOLT SECURITY FASTENER KIT

The simple to install security bolts and nuts will help protect your investment. (Part No. ATNSG2)

This kit contains 4 x M10 x 35mm anti-theft bolts plus 2 x M10 security nuts for the mounting bolts, both with corresponding coded keys requiring a 17mm, 11/16" spanner.

For use with the Venom LED, Genesis LED and Striker LED Driving Lights.

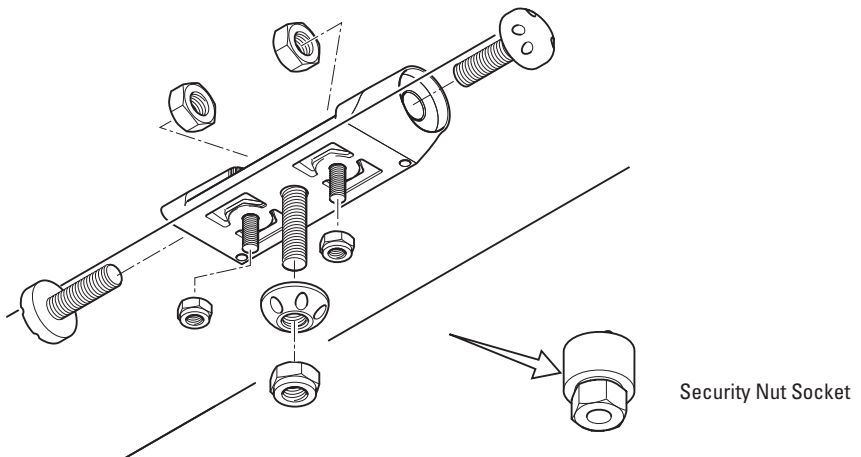
SECURING LIGHT TO MOUNTING BRACKET - replace the 4 standard M10 bolts

- Remove the standard M10 bolts and washers from each side of the mounting bracket and fit the anti-theft bolts, reusing the existing washers. Each bolt is 35mm in length exclusively designed for use with the Genesis LED and Venom LED driving lights.

SECURING MOUNTING BRACKET TO VEHICLE – replace standard nyloc nuts

- Remove the standard M10 nyloc nut and replace with anti-theft nyloc nuts as per diagram

All bolts are machined from 304 stainless steel. The key will only fit the anti-theft bolts/nuts in one position. Coded key is machined from steel with zinc protective coating.



VENOM LED & GENESIS LED INSTALLATION INSTRUCTIONS

ORDER CODE	DESCRIPTION
ACCESSORIES	
LFDLHTS	Driving light harness 12V 4 pin, 3 stage switch operation with waterproof connectors. Suits DL150/DL210
ATNSG2	Safeguard Anti-theft security lock set suits Venom LED & Genesis LED - kit includes 4 x 35mm bolts, 2 nuts and 1 key
LEDMB	Replacement mounting base for Genesis and Venom LED lights inc hardware
VENOM LED	
F150CB	Venom 150mm – crystal blue
F150A	Venom 150mm – amber
F150CC	Venom 150mm – clear combo
GENESIS LED	
DL210TSB	210mm Genesis LED top stay bracket
FC210C	Genesis 210mm – clear spot
F210CC	Genesis 210mm – clear combo
F210WC	Genesis 210mm – clear wide
F210CB	Genesis 210mm – crystal blue spot
F210CCB	Genesis 210mm – crystal blue combo
F210 WCB	Genesis 210mm – crystal blue wide
F210Y	Genesis 210mm – yellow spot
F210WY	Genesis 210mm – yellow wide
CBF210A	Genesis 210mm – amber spot

**For warranty information and to register your product
for warranty purposes, visit lightforce.com/warranty**



LIGHTFORCE AUSTRALIA PTY LTD

11 Manton Street, Hindmarsh SA 5007

Email: info@lightforce.com

Telephone: (08) 8440 0888

www.lightforce.com

All logos and images are subject to relevant trademark and copyright protection Lightforce Pty Ltd. Copyright © 2018. Data and specifications contained maybe subject to change without notice. Lightforce Australia Pty Ltd shall not be liable for damage, malfunction, failure resulting from accident, misuse, misapplication, unauthorised repair, neglect, modification, unauthorised or non standard replacement parts, accessories, bulbs, batteries or voltage or operation of the product beyond its technical and or environmental specification.

DILLEDINS

181122-1-Genesis-LED-Venom-LED-Instructions